

PULIFIL

Semi-automatic cleaning filter with date marker



Finality

Impurities such as sand, rust flakes, lime deposits and coarse material can damage the water distribution line and household appliances (pipes, valves, mixers, faucets, washing machines, etc.). The installation of a protection filter is the most simple and efficient alternative to avoid such problems.

PuliFIL is a semi-automatic self cleaning filter, robust and compact with a brushing system for the filtering cartridge and discharge valve for dirt.

The filter is equipped with the new discharge connection with the date marker for the indication of the cleaning date.

PuliFIL is designed with a standard filtration rating of 89 micron which retains coarse impurities from water preventing them from damaging the system.

Operation

Raw water entering PuliFIL flows from the outside toward the inside of the filtering cartridge. PuliFIL is an innovative filter with a patented system of cleaning composed by two different actions: brushing of the filtering cartridge and high speed discharge. This method allows an efficient and thorough cleaning both of the filtering cartridge and the filter bowl. The cleaning is started by rotating clockwise the upper green knob: this movement activates, at each click, the brushing system and the opening of the discharge valve which creates an high speed tangential flow which removes impurities accumulated in the filter bowl.

Key features



PuliFIL head's is made in brass and the vessel, equipped with the discharge valve, is made in Trogamid® high strength polyamide). The filtering surface is in stainless steel soldered

on a stretched wire netting. The particular structure of the filtering cartridge makes it resistant to mechanical shocks and pressure gradients eliminating deformation and crushing of the filtering cartridge.

The standard filtration rating of PuliFIL is 89 microns; other filtration ratings (30, 50, 150 microns) are available upon request.

PuliFIL with ¾", 1" and 1¼" connections are equipped with a cover carter for the filter head and the drain and a calendar date marker; PuliFIL with 1½" and 2" connections are equipped with a cover carter for drain, a calendar date marker and two pressure gauges to monitor pressure drop through the filtering cartridge enabling one to easily determine the degree of clogging.

PULIFIL

Semi-automatic cleaning filter with date marker

On request it is possible to supply the brushes of the filter's bowl with a silver wire, for a more targeted bactericidal action.

Intended use, use conditions

PuliFIL has been specifically designed for the filtration of cold drinking water predominantly in civil applications but it may also be used for the protection of water distribution lines in technological applications (heating and cooling systems, industrial installations, etc.).

Maintenance and duration

PuliFIL requires the periodic cleaning operation. PuliFIL must be included in the periodic sanitization program planned for the distribution system (who has built the distribution system is in charge of this planning). As a consequence any time the distribution system is sanitized PuliFIL must be sanitized too. For a proper maintenance two annual inspections are recommended.

Installation

Install in agreement with local regulations. Install only in hygienically suitable places. PuliFIL should be installed in the cold water line upstream of the appliance (boiler, heat exchanger, etc.) to be protected. Do not install in the hot water line or downstream of the appliance to be protected. Install by-pass valves. Read the Installation Manual supplied with PuliFIL.

Warnings

Cleaning and self-cleaning filters are protection filters and they are not suitable for the filtration of water containing silt, large amounts of sand and/or suspended material. In these cases it is necessary to use other types of filters.

Raw water

PuliFIL has been designed to treat only drinking water.

Conformity and Regulatory references

Acqua Brevetti applies a Quality Management System certified according to UNI EN ISO 9001 regulation, as per certificate issued by TÜV Italia SRL. The equipment complies with the Italian D.M. 174/04 and D.M. 25/12.

Endowment

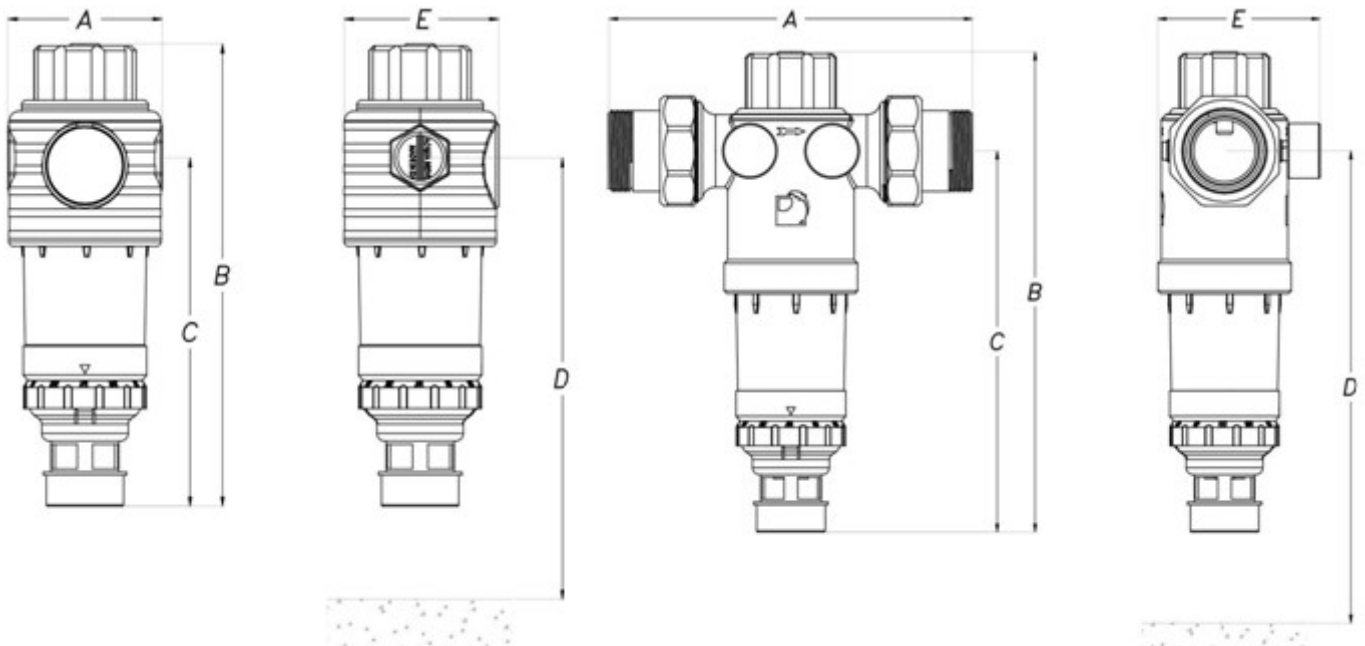
PuliFIL is packaged in a plastic bag put inside a paperboard box. The standard endowment includes: PuliFIL filter, plastic bag with N°2 nuts and N°2 tailpieces (PuliFIL 1"½ and 2"), instruction manual (including the conformity declaration), warranty certification.

PULIFIL

Semi-automatic cleaning filter with date marker

Performances and tecnica datasheet

	Units	FT010	FT012	FT014	FT016	FT018
Connections	DN	¾" F	1" F	1¼" F	1½" M	2" M
Flow rate ($\Delta P=0.2$ bar)	m ³ /h	4.8	6.0	6.5	12.0	14.2
Flow rate ($\Delta P=0.5$ bar)	m ³ /h	6.4	9.6	10.6	22.0	22.6
Filtration rating	micron	89				
Min-max working pressure	bar	1.5 - 16				
Min-max water temperature	°C	5 - 30				
Min-max room temperature	°C	5 - 40				
Dimensions						
Width (A)	mm	100	100	100	251	251
Total height (B)	mm	300	300	300	351	351
Height at connection (C)	mm	225	225	225	278	278
Distance from ground (D)	mm	min. 400				
Depth (E)	mm	101	101	101	119	119



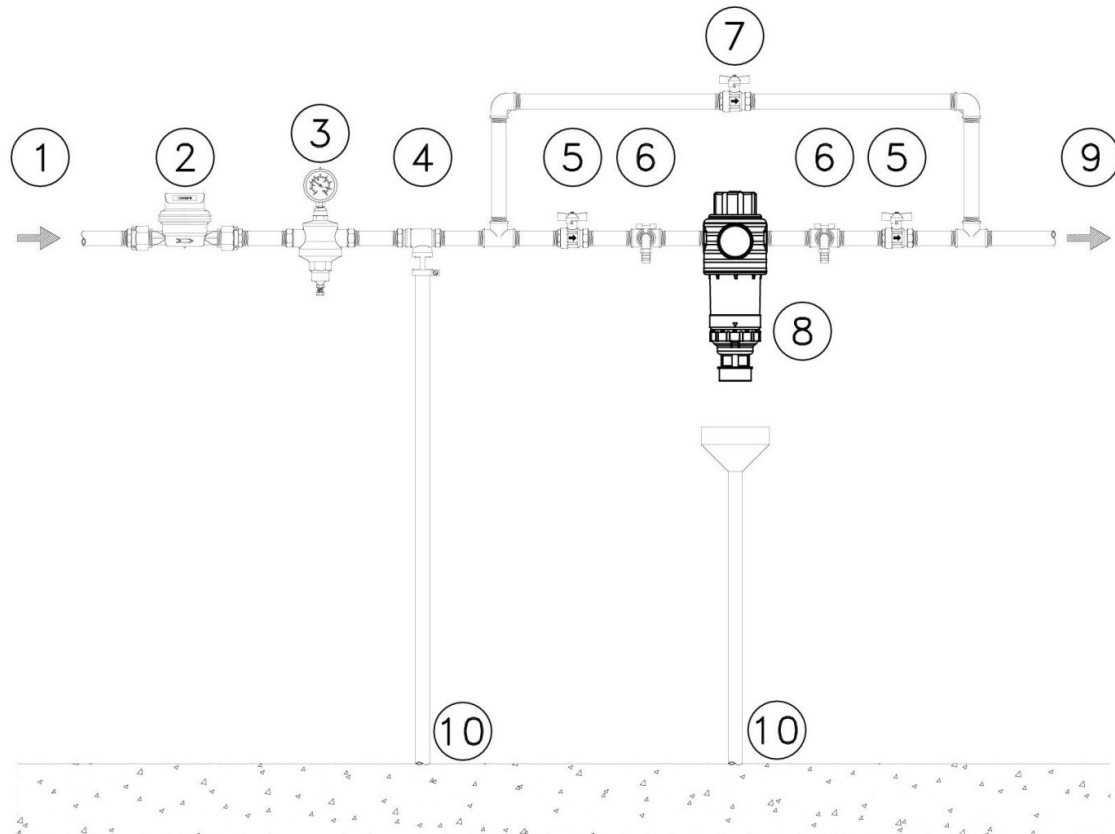
PuliFIL
cod. FT010, FT012, FT014

PuliFIL
cod. FT016, FT018

PULIFIL

Semi-automatic cleaning filter with date marker

Installation scheme



Legend

1. Water inlet • 2. Flow meter • 3. Pressure reducer • 4. Backflow preventer • 5. Shut off valve • 6. Sampling tap • 7. By-pass valve • 8. PuliFIL filter • 9. Cold water outlet • 10. Drain.



ACQUA BREVETTI SRL
Via Molveno, 8 - 35035 MESTRINO (PD) - ITALY
Tel. +39 049.8974006 - Fax +39 049.8978649
www.acquabrevetti.it - www.acquasil.it
info@acquabrevetti.it



Azienda certificata
ISO 9001

This Technical Datasheet is based on the experience of Acqua Brevetti SRL and it is applied to the use in compliance with the instruction supplied by the manufacturer; any use different from those described must be authorized in a written form from Acqua Brevetti SRL. For a regular maintenance it is advised to enter into a contract with an authorized technical service. Acqua Brevetti SRL reserves the right to any change to its products without any notification. The reproduction of this document or part of this document is forbidden. This document is property of Acqua Brevetti SRL.