

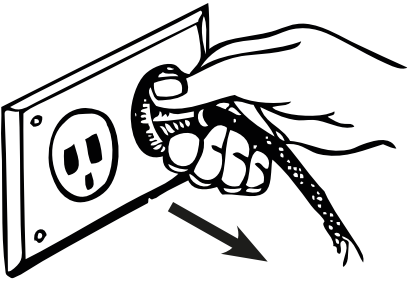

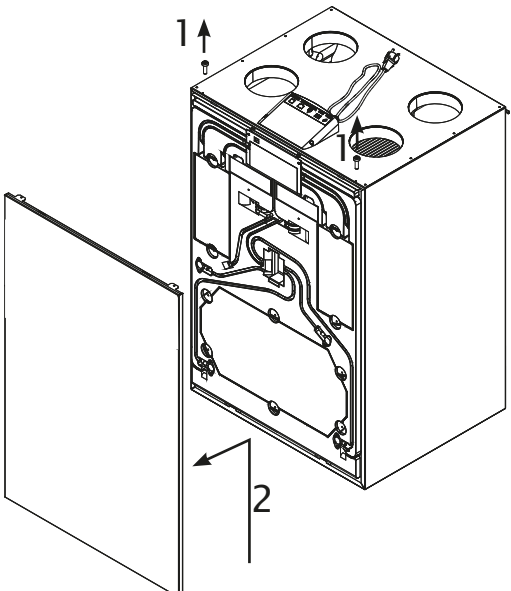
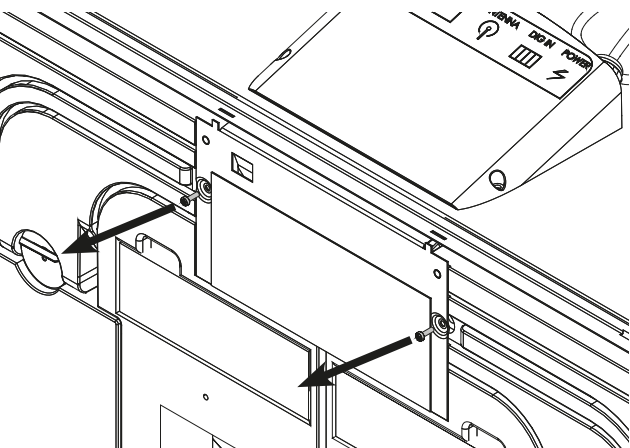


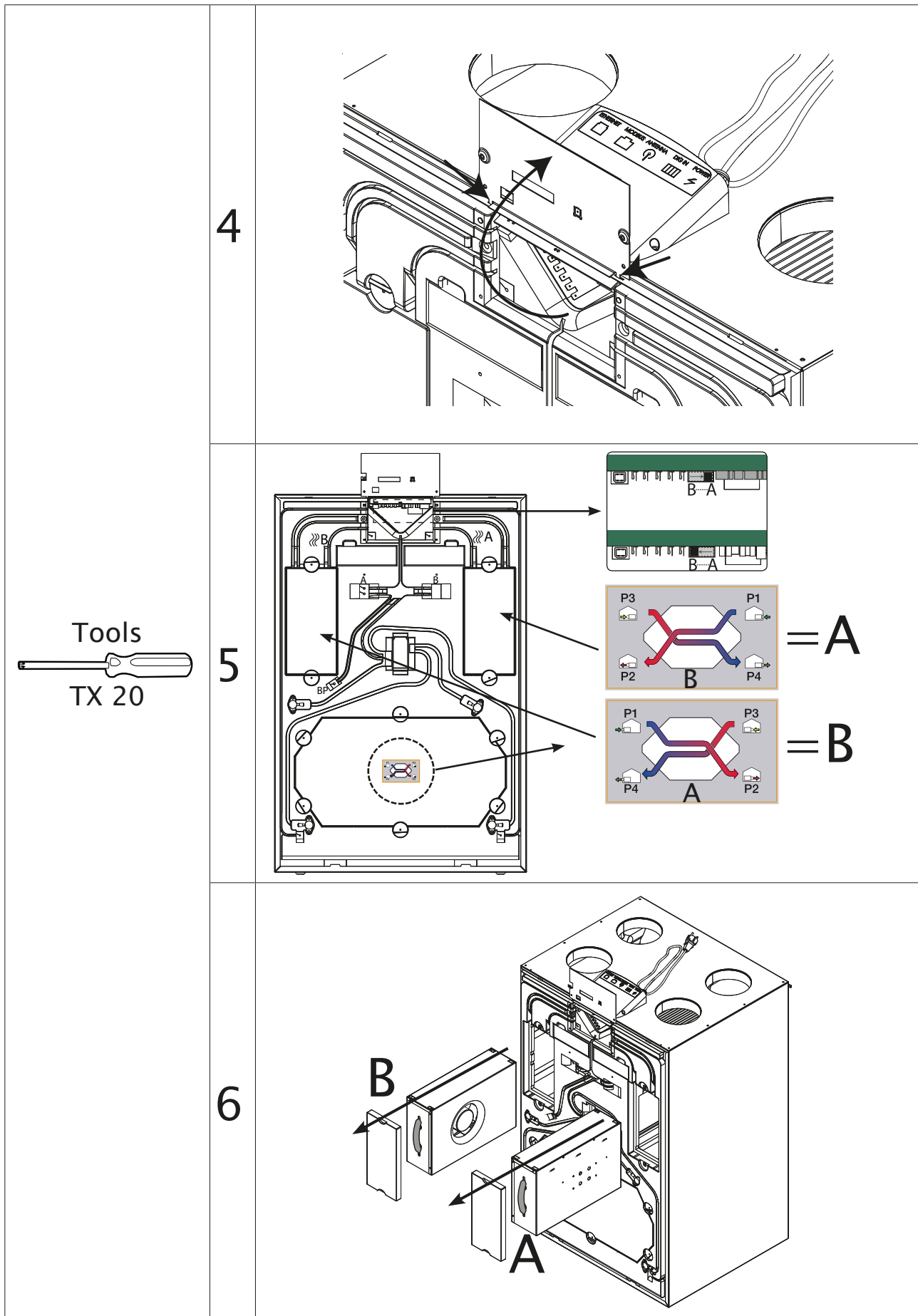
# Electrical preheater

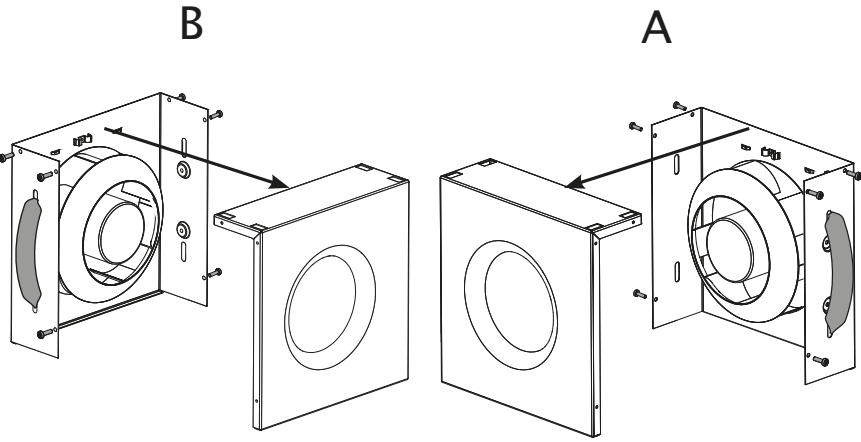

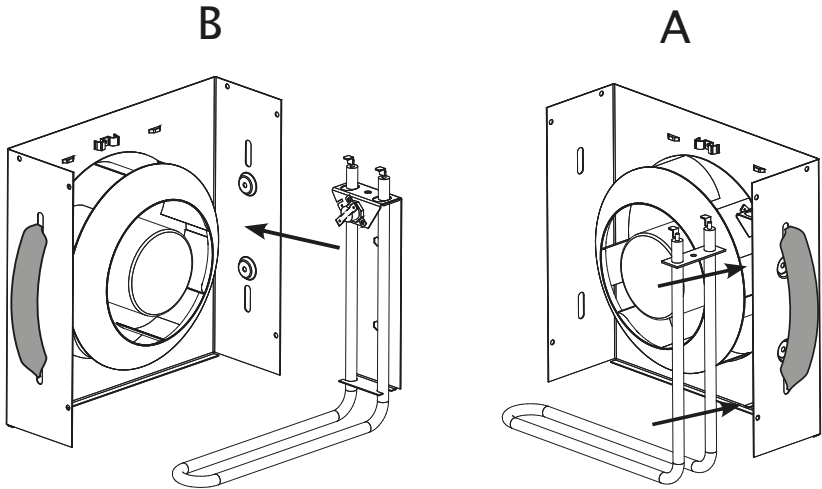
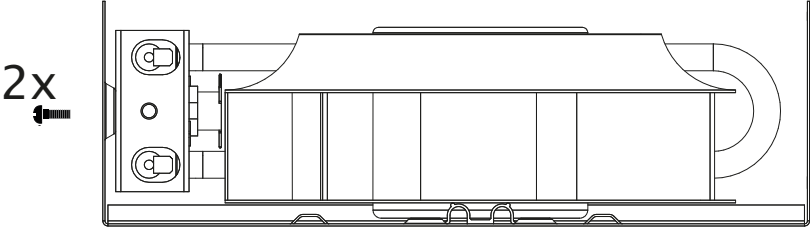
Installation instruction

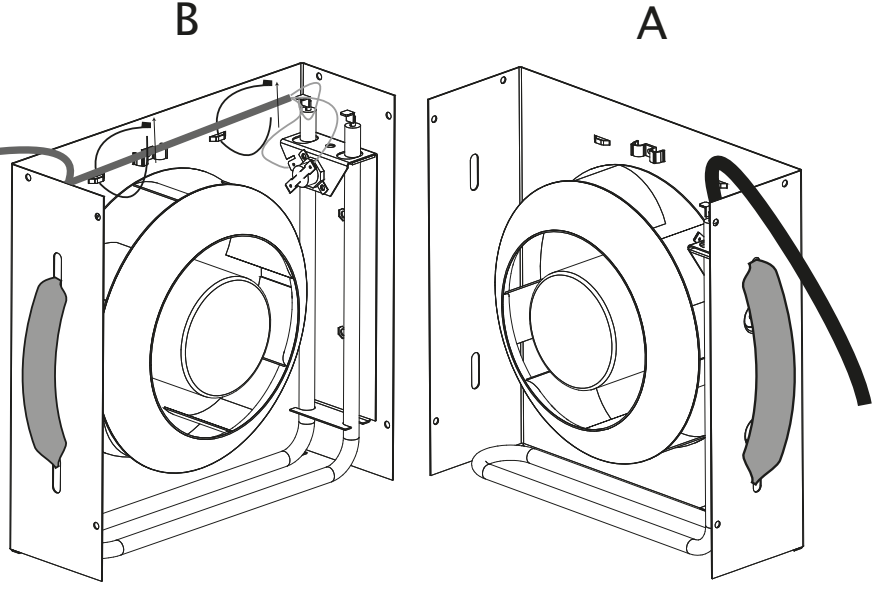

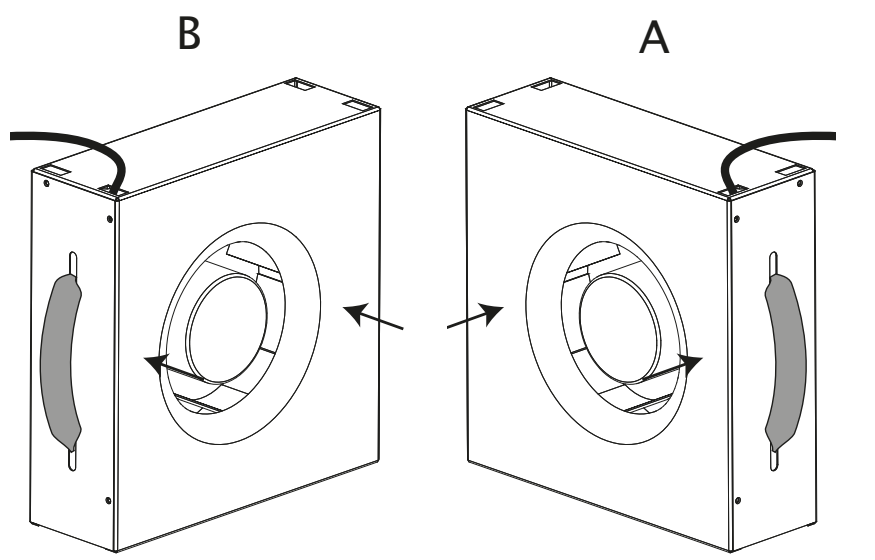
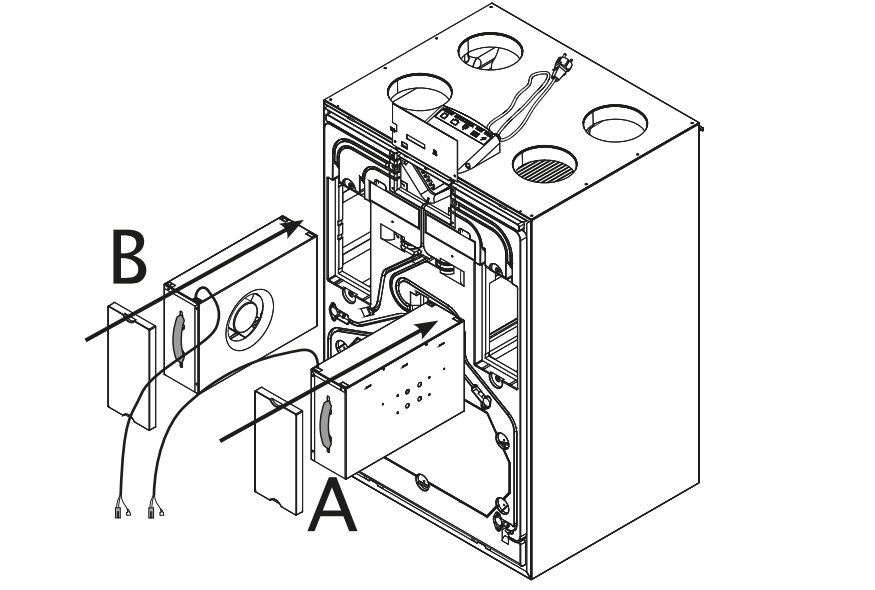
Rev. 1.1

**Dantherm**<sup>®</sup>  
CONTROL YOUR CLIMATE

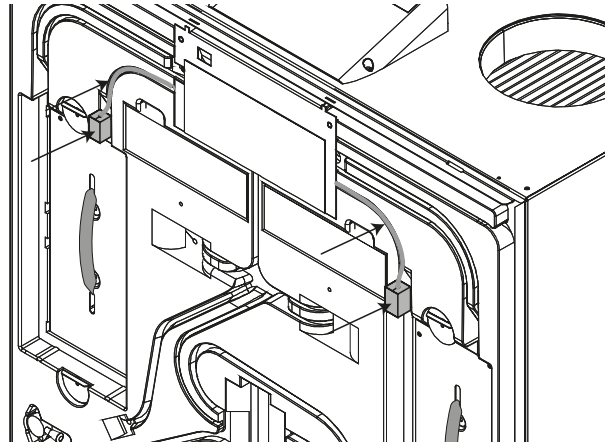
	1	
<p>Tools  TX 20</p>	2	
	3	



	7	
<p>Tools  TX 20</p>	8	
	9	

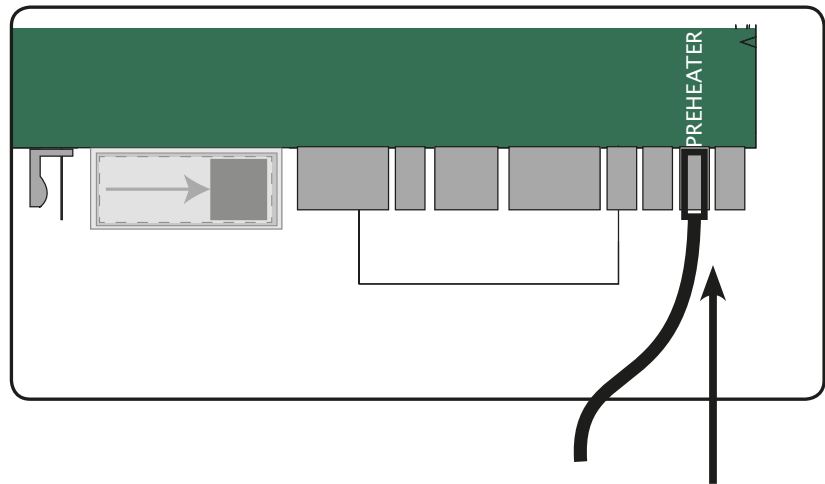
	10	
<p>Tools  TX 20</p>	11	
	12	

13

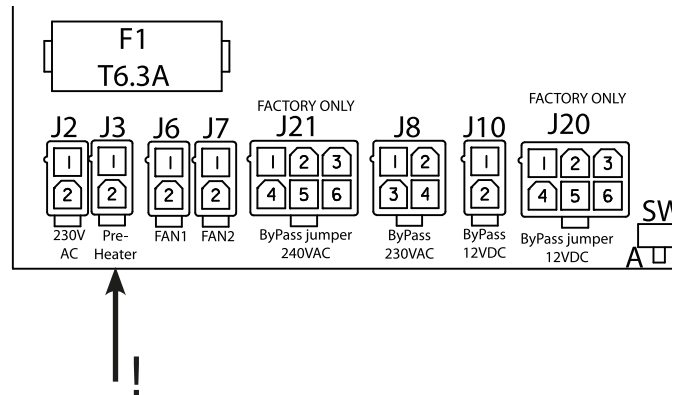



Tools  
TX 20

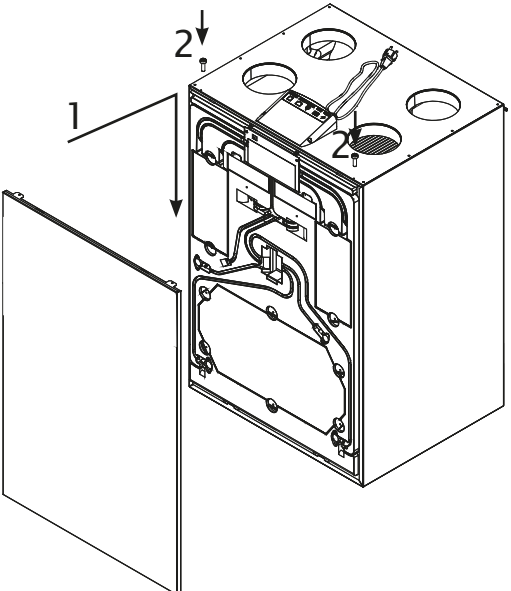

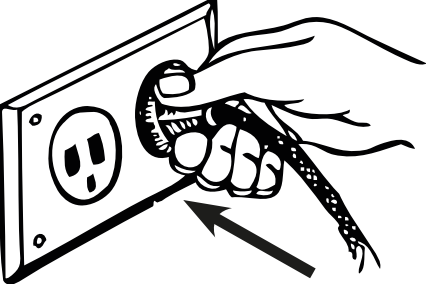
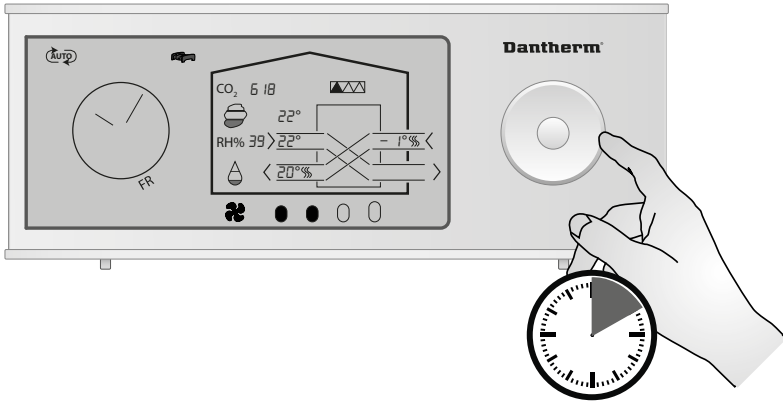
14



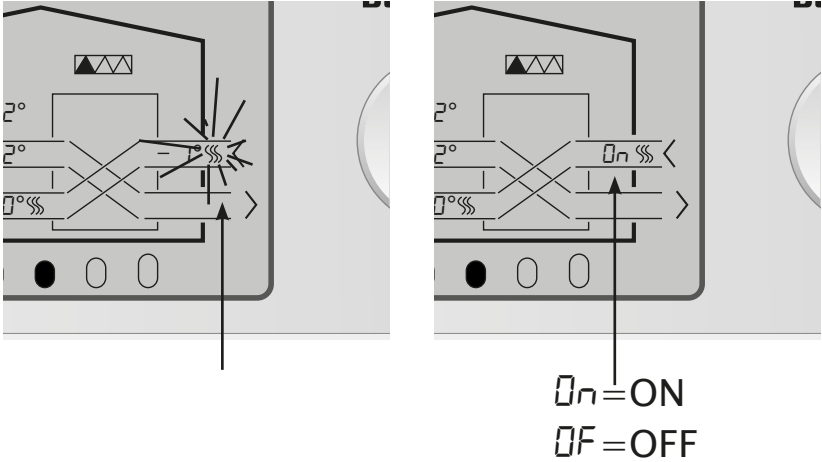

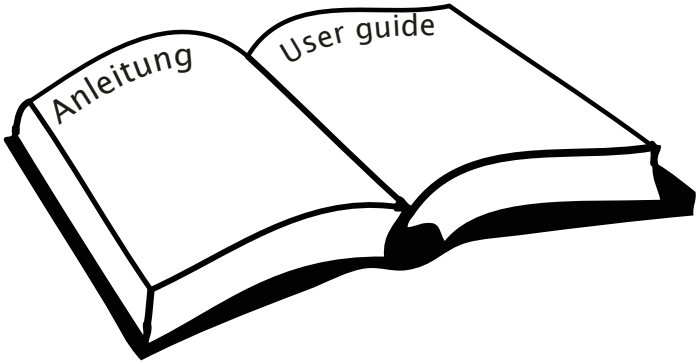
15



	16	
<p>Tools  TX 20</p>	17	
	18	

	19	
<p>Tools</p>  <p>TX 20</p>	20	
	21	



	22	 <p>On = ON Off = OFF</p>
<p>Tools  TX 20</p>	23	







081 502

**Dantherm Air Handling A/S**

Marienlystvej 65  
7800 Skive  
Danmark  
[www.dantherm.com](http://www.dantherm.com)  
[service@dantherm.com](mailto:service@dantherm.com)

**Dantherm®**  
CONTROL YOUR CLIMATE