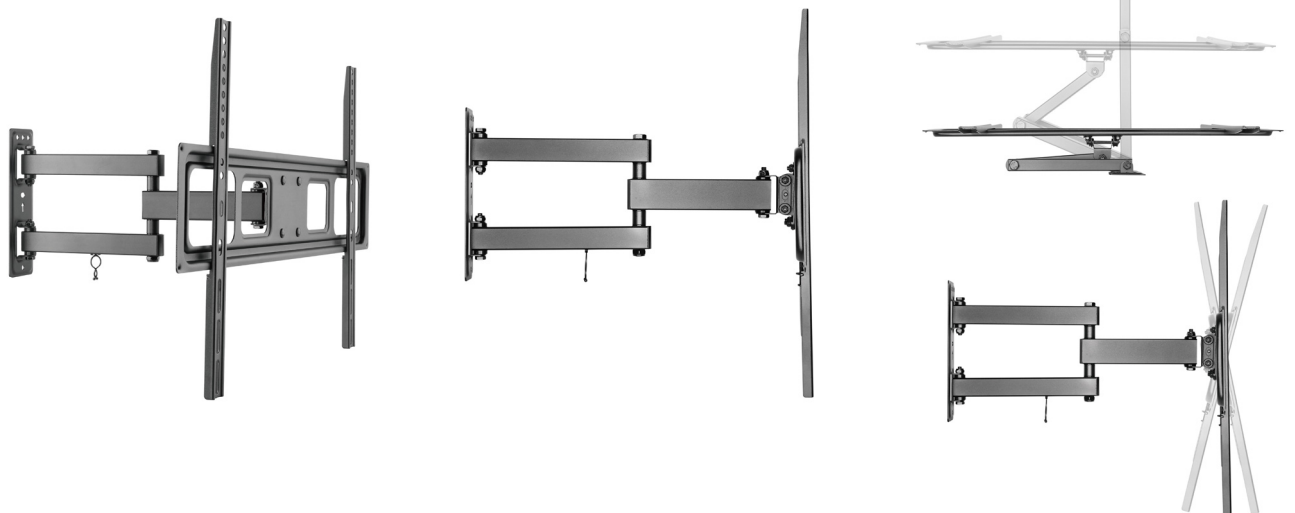


32"-55" display Full-motion wall mount

DELTAACO

A NORDIC BRAND



PRODUCT DATA

Product Category:	Full-Motion Wall Mount
Material:	Steel
Metal Sheet Thickness:	Bracket Arm THK=1.5mm cold-rolled sheet, Wall Plate THK=2mm cold-rolled sheet, VESA Panel THK=1.8mm cold-rolled sheet (Bracket Arm THK=0.059" cold-rolled sheet, Wall Plate THK=0.079" cold-rolled sheet, VESA Panel THK=0.071" cold-rolled sheet)
Pipe Size:	40x20x1.5mm , 30x20x1.5mm
Surface Finish:	Powder Coating
Color:	Fine Texture Black
Dimensions:	427x655x420mm
Fit Screen Size:	37" - 70"
Fit Curved TV:	Yes
Mounting Hole Pattern :	VESA & Universal
VESA Compatible:	200x200,300x300,400x200,400x400,600x400
Max. VESA:	604x404mm
Weight Capacity:	35kg
Strength Tested:	2 Times Approved
Profile:	63~427mm
Tilt Range:	+10 ~ -15°
Swivel Range:	+90°~-90°
Screen Level:	+3°~-3°
Screen Freely Tilting	Yes
Installation:	Solid Wall, Single Stud
Panel Type:	Detachable Panel
Wall Plate Type:	Fixed Wall Plate
Cable Management:	Yes
Anti-theft:	No
Bubble Level:	No
Accessory Kit Package:	Normal/Ziplock Polybag, Compartment Polybag

LOGISTICS DATA

Article number:	ARM-1201
Brand:	DELTAACO
EAN Code:	7333048042903
Country of origin:	China
Custom tariff number:	83024900
Master carton packing unit:	6 pcs
Master carton gross weight:	22 kg
Master carton dimensions:	69 x 43 x 24.5 cm
Package type:	Box
Package weight:	3.54 kg
Package dimensions:	67.7 x 23.1 x 6.8 cm

PACKAGING

Package contents:	Wall mount, mounting kit for wall, mounting kit for display and manual
-------------------	--



-Image may differ from the actual package

Drawing

