

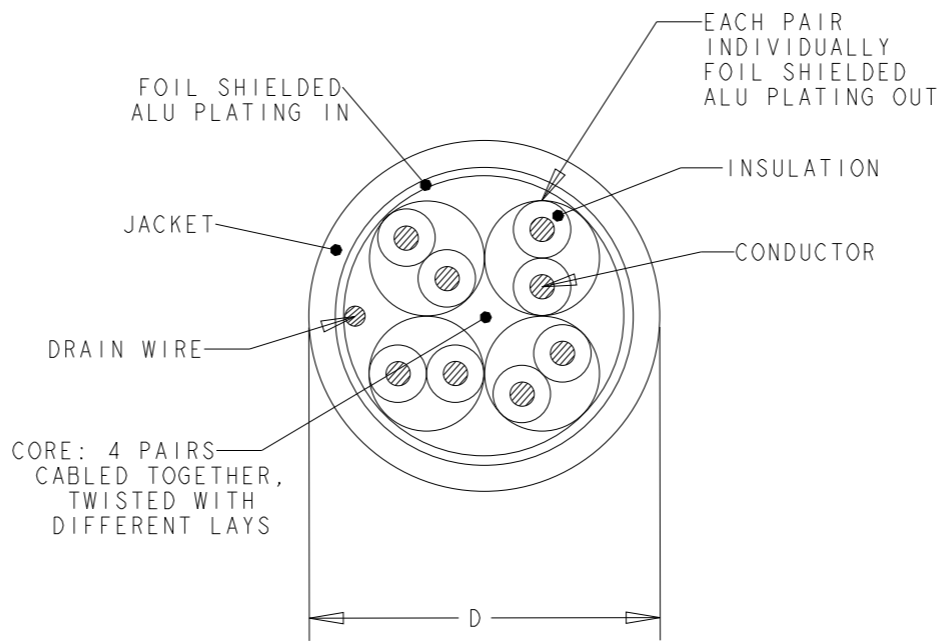
THIS DRAWING IS UNPUBLISHED. RELEASED FOR PUBLICATION 2013  
 © COPYRIGHT 2003 TE Connectivity AMP España, S.L.U. ALL RIGHTS RESERVED.

LOC	DIST	REVISIONS			
P	LTR	DESCRIPTION	DATE	DWN	APVD
1K	2	F	ECR-13-006545	19APR2013	LD JS

FINISHED CABLE DATA

CONDUCTORS	WIRE AWG	23 AWG Solid
	Ø RANGE in mm	0,546 <= Ø < 0,610
	MATERIAL	COPPER
	PLATING	BARE
ELONGATION	15% PER EN 50288-1	
INSULATION	MATERIAL	POLYETHYLENE
	OVERALL DIAMETER	1,35
DRAIN WIRE	Ø RANGE in mm	0,40 <= Ø < 0,55
	MATERIAL	COPPER
	PLATING	TINNED
	ELONGATION	15% PER EN 50288-1
BINDER	POLYESTER TAPE	OPTIONAL
INDIVIDUAL PAIR SCREEN	MATERIAL	PLASTIC LAMINATED ALUMINUM FOIL
OVERALL SHIELD	FOIL MATERIAL	PLASTIC LAMINATED ALUMINUM FOIL
OVERALL SHIELD	BRAID MATERIAL	-
	PLATING	-
	COVERAGE	-
	ELONGATION	-
JACKET	MATERIAL	LSZH
	OVERALL DIAMETER (D)	7,4 mm
PULLING FORCE	MAX.	100 N

- REFER TO PRODUCT SPEC 108-93018 FOR ADDITIONAL REQUIREMENTS.
- BASENR SPECIFIC PRINT LEGEND INFO:  
CAT7 F/FTP XG SOLID PRO4 AWG23 LSZH
- CABLE COLORED TYPES UPON REQUEST.



WHITE	1000	REEL	1711163-2
WHITE	500	REEL	1711163-1
COLOUR	LENGTH (METRES)	PACKAGE	PART NUMBER

THIS DRAWING IS A CONTROLLED DOCUMENT.		DWN L. de Dios 19Apr2013	TE Connectivity CABLE, CAT7, F/FTP, PIMF600 COMPACT, XG, SOLID, PRO4, AWG23, LSZH				
DIMENSIONS: mm		CHK M. Maqueda 19Apr2013			NAME		
TOLERANCES UNLESS OTHERWISE SPECIFIED:		APVD J. Sanabra 19Apr2013			PRODUCT SPEC		
0 PLC ±-	1 PLC ±-	2 PLC ±-	3 PLC ±-	4 PLC ±-	ANGLES ±-	FINISH -	APPLICATION SPEC
MATERIAL -	FINISH -	WEIGHT -	SIZE A3	CAGE CODE -	DRAWING NO. ©-1711163	RESTRICTED TO -	
CUSTOMER DRAWING				SCALE NTS	SHEET 1 OF 1	REV F	