

1-10V control dimmer switch

SDS12/1-10V for electronic ballast units

1 NO contact not potential free 600VA and 1-10V control output 40mA. Only 1 watt standby loss. With adjustable minimum brightness and dimming speed. With switching operation for children's rooms and snooze function.

Modular device for DIN-EN 60715 TH35 rail mounting. 1 module = 18mm wide, 58mm deep. Universal control voltage 8 to 230V UC, local and central on/off with same potential. Supply voltage 230V electrically isolated.

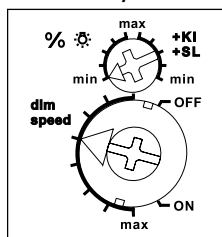
State-of-the-art hybrid technology combines advantages of nonwearing electronic control with high capacity of special relays.

Zero passage switching with soft ON and soft OFF to protect lamps.

The brightness level is stored on switch-off (memory).

In case of a power failure the switch position and the brightness stage are stored and may be switched on when the power supply is restored.

Function rotary switches



The minimum brightness (fully dimmed) is adjustable with the % rotary switch.

At the same time, you define whether the children's room function and the snooze function are active (+KI +SL).

The dimming speed is adjustable using the dimming speed rotary switch.

The load is switched on and off by a bistable relay at output EVG (electronic ballast units). Switching capacity for fluorescent lamps or LV halogen lamps with electronic ballast units 600VA.

By using a bistable relay coil power loss and heating is avoided even in the on mode.

After installation, wait for short automatic synchronisation before the switched consumer is connected to the mains.

Either direction switches can be connected to ▲▼ or these terminals are bridged and a pushbutton is connected as universal switch.

As direction switch ▲ is 'switch on and dim up' and ▼ is 'switch off and dim down'. A

double click at ▲ triggers the automatic updimming until full brightness with dim speed. A double click at ▼ triggers the snooze function. The children's room function is realized with the pushbutton at ▲.

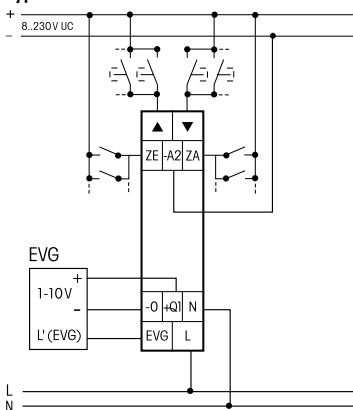
As a universal switch, change the direction by briefly releasing the pushbutton.

Switching operation for children's rooms KI

(universal switch or direction switch ▲): If the light is switched on by holding down the push-button, it starts at the lowest brightness level after approx. 1 second and dims up slowly as long as the pushbutton is held down without modifying the last stored brightness level.

Snooze function SL (universal switch or direction switch ▼): With a double impulse the lighting is dimmed down from the current dimming position to the minimum brightness level and switched off. The current dimming position as well as the adjustable minimum brightness level determine the dimming time (max.= 60 minutes) which can be reduced as required. It can be switched off at any time by short-time control commands during the lighting is dimmed down. Holding down the pushbutton during the dimming down process dims up and stops the snooze function.

Typical connection



The strain relief clamps of the terminals must be closed, that means the screws must be tightened for testing the function of the device. The terminals are open ex works.

Warning!

Only a trained electrician may install this equipment, otherwise there is a risk of fire or electric shock.