

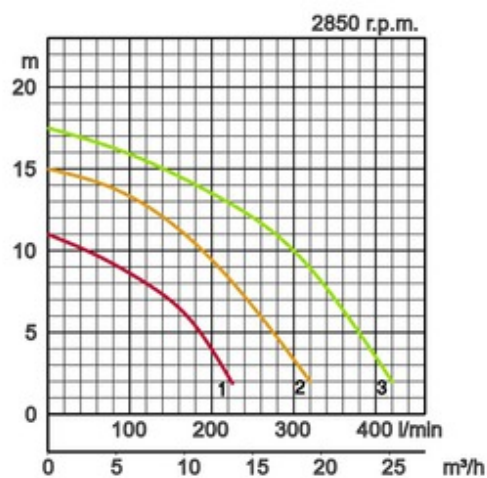


LB | 1-phase / 50Hz


The TSURUMI LB-pumps are small and robust submersible contractor's pumps with a wide range of applications wherever water has to be moved.

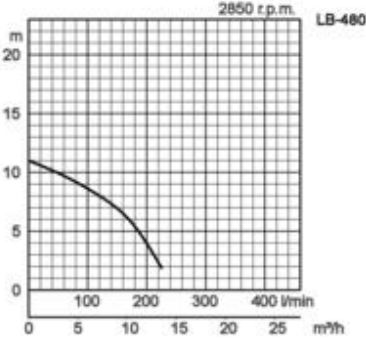

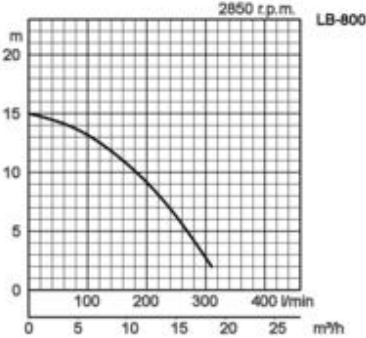

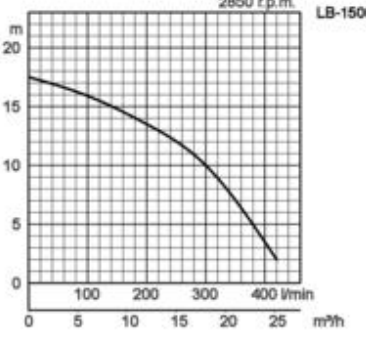


Ydelseskurve



Specifikationer

Model	Colour code curve	Bore mm	Motor output kW	Rated current A	Head max. m	Capacity max. l/min	Dry weight kg w/o cable	Max. solid handling ø mm	Max. water depth m	Cable length m
	1 print  LB-480_1.pdf									

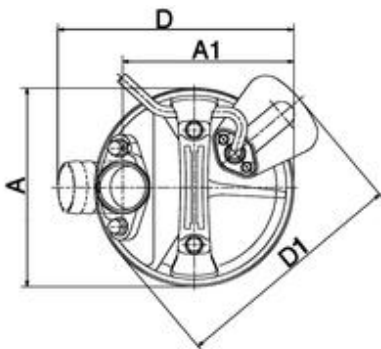
LB-480		2" AG	0,48	2,9	11,0	225	10,4	6	10	10
LB-480A		2" AG	0,48	2,9	11,0	225	11,0	6	10	10
LB-800	2 print  LB-800_1.pdf 	2" AG	0,75	5,0	15,0	320	13,1	6	10	10
LB-800A		2" AG	0,75	5,0	15,0	320	13,7	6	10	10
LB-1500	3 print  LB-1500_1.pdf 	2" AG	1,5	15,4	17,5	440	33,0	6	25	10

Materiale

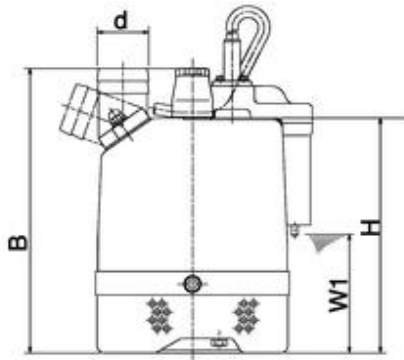
ø Discharge bore mm		50
Pumping	Temperature	0-40°C

Fluid	Type of Fluid	Spring water, Rain water, Ground water, Sand carrying water	
Pump	Components	Impeller	Semi-Vortex impeller
		Shaft Seal	Double mechanical seal
		Bearings	Shielded ball bearings
	Material	Impeller	Urethane rubber, Chromium iron casting
		Casing	Ethylene propylene rubber
		Suction Plate	Steelplate+Urethane rubber
		Shaft Seal	Silicon carbide in oil bath
	Motor	Type, Poles	
Lubrication		Turbine oil (ISO VG32)	
Motor Protector (built-in)		Miniature protector, Circle thermal cut-out	
Insulation		Insulation class E, Insulation class B	
Phase / Voltage		Single phase 230V / 110V / 50Hz	
Material		Casing	Aluminium die casting
		Shaft	Stainless steel EN-X6Cr13
	Cable	Rubber, H07RN-F	
Discharge Connection		Threaded flange/Hose coupling	

Dimensions in mm:



LB-480
 LB-480A
 LB-800
 LB-800A
 LB-1500



W1: lowest running water level

Model	d	A	A1	B	D	D1	H	W1
LB-480	50	187	161	353	231	-	228	50
LB-480A	50	187	161	353	231	223	228	115
LB-800	50	187	160	408	230	-	283	50
LB-800A	50	187	160	408	230	223	283	170
LB-1500	50	187	122	600	-	-	518	80

In the event of abrasive and corrosive utilization, stronger wear and tear will take place naturally in certain components. In this regard, please pay attention to our website www.tsurumi.eu/english/applications.htm.

Anvendelse

Schorn Gravel Works, Cologne, Germany

Evacuation of the sedimentation tank of the open cast mine in the gravel works

Marmaray Undersea Tunnel, Turkey

Construction of a railway tunnel under the Bosphorus

Ikitelli underground railway tunnel, Istanbul, Turkey

Construction of a 15km long underground tunnel using a TBM

Construction of a shopping centre in Oslo, Norway

Construction of a shopping centre at the Port of Oslo

BBC Center Böblingen

Water drainage in a 12,000m³ pit

©2011 TSURUMI (Europe)GmbH

Wahlerstr. 10 40472 Düsseldorf Germany Phone +49 211 4179373 Fax +49 211 417937480 Email sales@tsurumi.eu