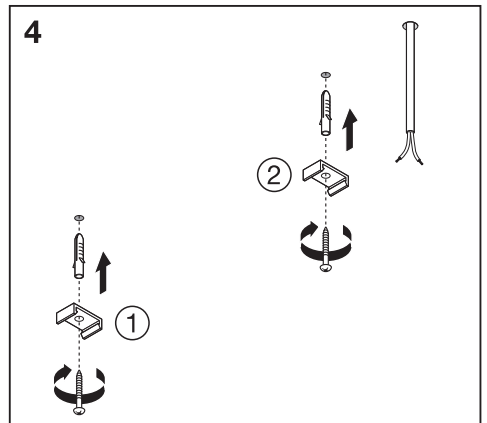
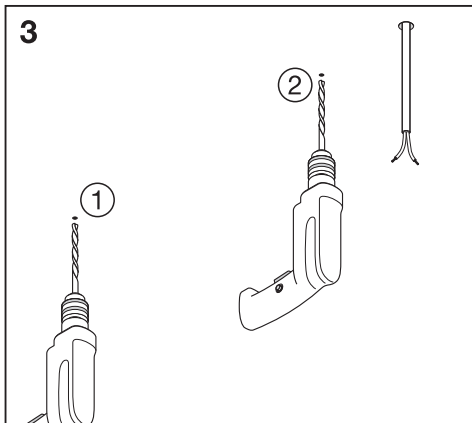
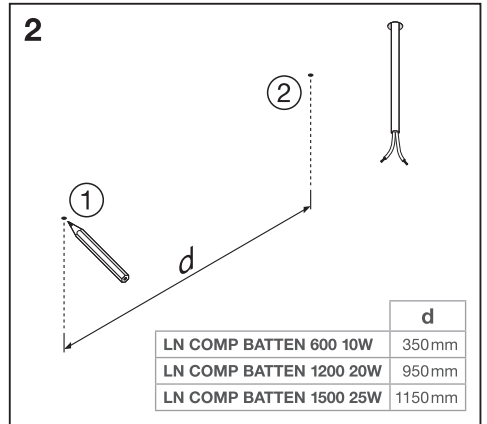
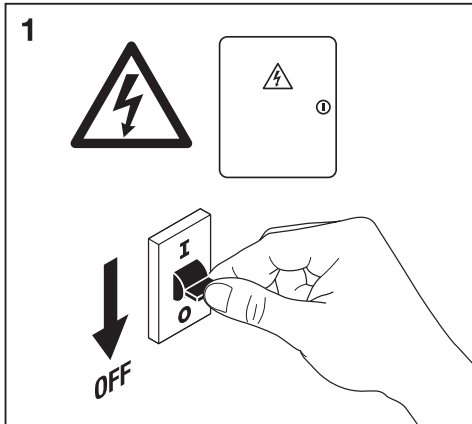
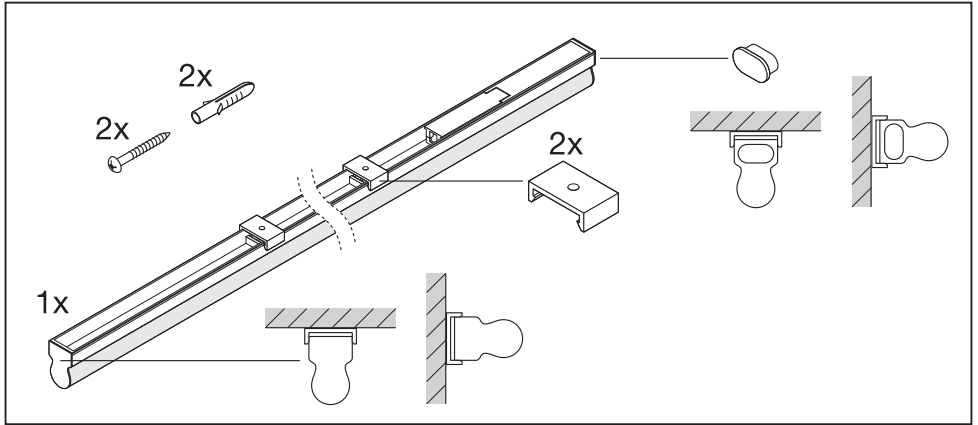


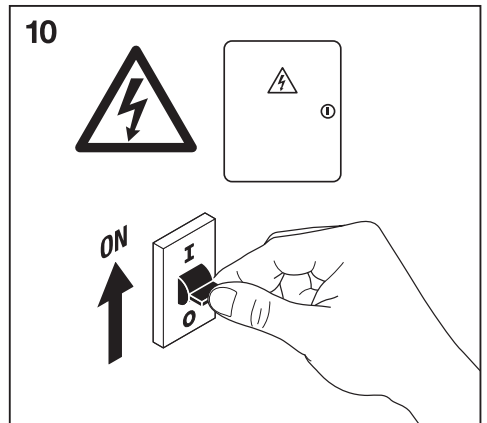
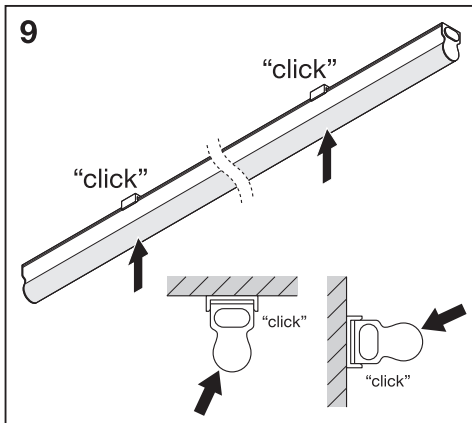
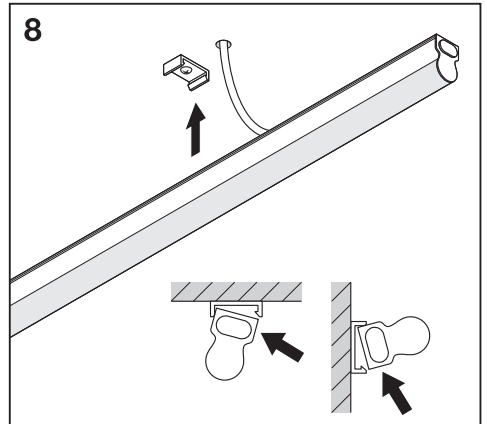
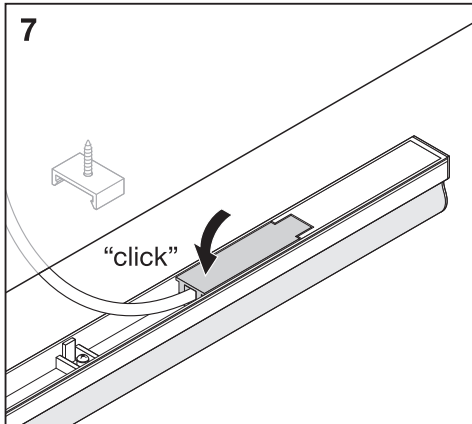
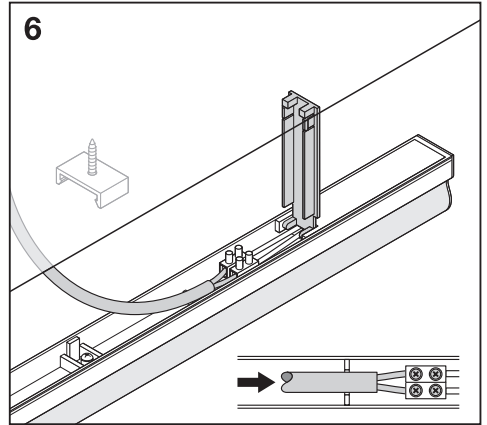
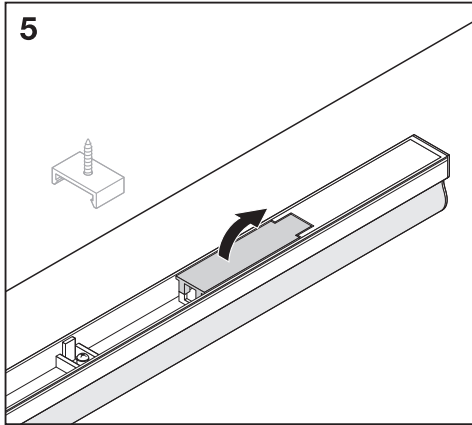
## LINEAR COMPACT BATTEN

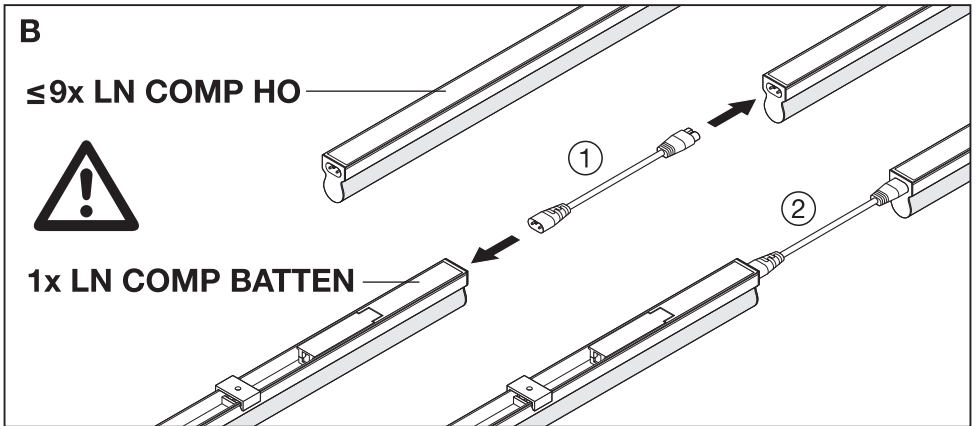
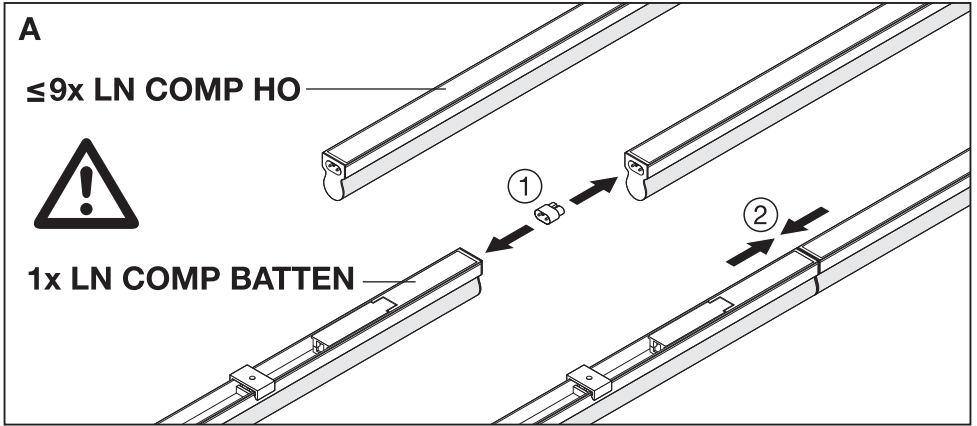


|                               | EAN           | l x w x h [mm] | W  | lm   | lm/W | K    | IP | IK |
|-------------------------------|---------------|----------------|----|------|------|------|----|----|
| LN COMP BATTEN 600 10W/3000K  | 4058075099692 | 575x27x38      | 10 | 1000 | 100  | 3000 | 20 | 03 |
| LN COMP BATTEN 600 10W/4000K  | 4058075099715 | 575x27x38      | 10 | 1000 | 100  | 4000 | 20 | 03 |
| LN COMP BATTEN 1200 20W/3000K | 4058075099739 | 1175x27x38     | 20 | 2000 | 100  | 3000 | 20 | 03 |
| LN COMP BATTEN 1200 20W/4000K | 4058075099753 | 1175x27x38     | 20 | 2000 | 100  | 4000 | 20 | 03 |
| LN COMP BATTEN 1500 25W/3000K | 4058075099777 | 1475x27x38     | 25 | 2500 | 100  | 3000 | 20 | 03 |
| LN COMP BATTEN 1500 25W/4000K | 4058075099791 | 1475x27x38     | 25 | 2500 | 100  | 4000 | 20 | 03 |

|                               | EAN           | Δ (°C)    | V <sub>AC</sub> | Hz       | ∠    | PF    | R <sub>a</sub> | ⊿      |
|-------------------------------|---------------|-----------|-----------------|----------|------|-------|----------------|--------|
| LN COMP BATTEN 600 10W/3000K  | 4058075099692 | -20...+40 | 220-240 V       | 50/60 Hz | 140° | > 0.5 | >80            | 0.1 kg |
| LN COMP BATTEN 600 10W/4000K  | 4058075099715 | -20...+40 | 220-240 V       | 50/60 Hz | 140° | > 0.5 | >80            | 0.1 kg |
| LN COMP BATTEN 1200 20W/3000K | 4058075099739 | -20...+40 | 220-240 V       | 50/60 Hz | 140° | > 0.5 | >80            | 0.2 kg |
| LN COMP BATTEN 1200 20W/4000K | 4058075099753 | -20...+40 | 220-240 V       | 50/60 Hz | 140° | > 0.5 | >80            | 0.2 kg |
| LN COMP BATTEN 1500 25W/3000K | 4058075099777 | -20...+40 | 220-240V        | 50/60 Hz | 140° | > 0.9 | >80            | 0.3 kg |
| LN COMP BATTEN 1500 25W/4000K | 4058075099791 | -20...+40 | 220-240V        | 50/60 Hz | 140° | > 0.9 | >80            | 0.3 kg |







C10449057  
G11046038  
18.05.18



LEDVANCE GmbH  
Steinerne Furt 62  
86167 Augsburg, Germany  
[www.ledvance.com](http://www.ledvance.com)