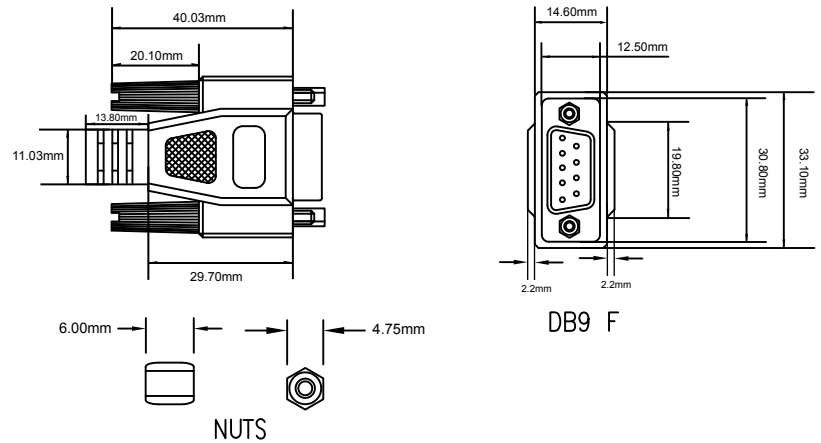
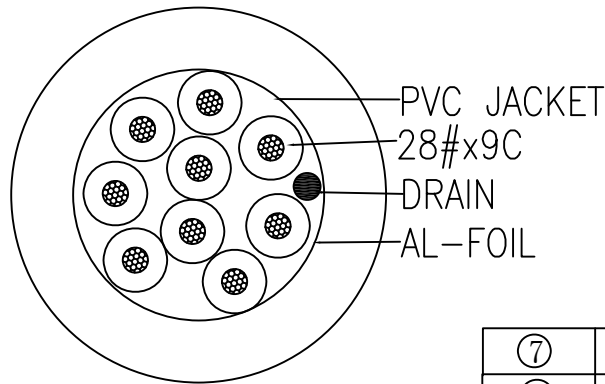


PIN OUT

DB9 M	DB9 F
1	1
2	2
3	3
4	4
5	5
6	6
7	7
8	8
9	9
64	DRAIN
	64



⑦	TAG	1PCS	DELTACO TAG
⑥	SCREW NUT	2PCS	4.75*6mm
⑤	HOOD MOLD	2PCS	BEIGE PVC
④	SCREW	4PCS	#4-40 UNC, 4*40mm HOOD MOLDED: BEIGE PVC
③	DB9P F	1PCS	NICKEL PLATED SHELL
②	DB9P M	1PCS	NICKEL PLATED SHELL
①	CABLE	1PCS	28AWG*9C+AD+BEIGE PVC JACKET OD:5.4mm
NO.	PARTS NAME	Q'TY	SPECIFICATION

NOTES:  
 1. TESTING: 100% OPEN AND SHORT AND MISWIRE TEST.  
 2. ALL MATERIAL BE RoHS COMPLIANT.

APPROVED	CHECKED	DRAWN	CUSTOMER:
			ITEM NO. DEL-37
			DRAW NO.
			UNIT mm
			SCALE NONE

DESCRIPTION:

DB-9/M-DB-9/F

