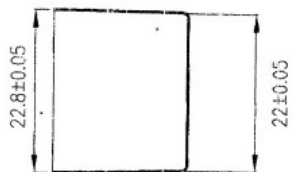
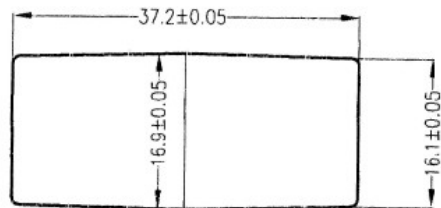
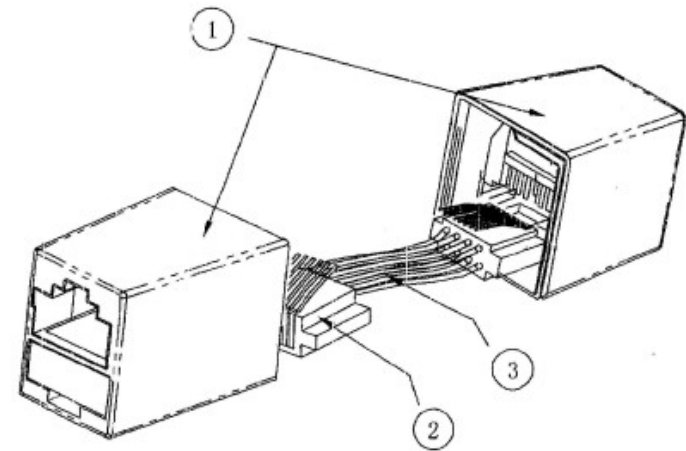
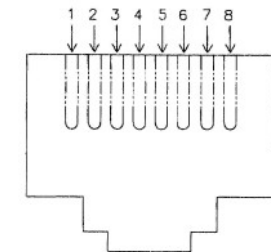
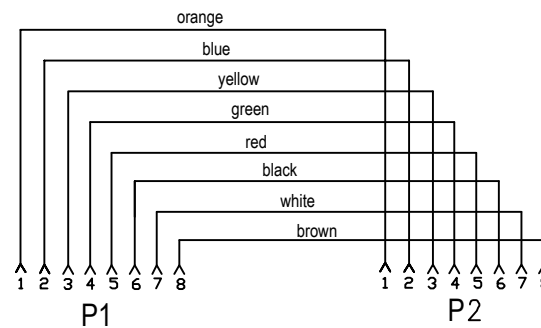


P1

P2



connection



NOTES:

1. TESTING: 100% OPEN AND SHORT AND MISWIRE TEST.
2. ALL MATERIAL BE RoHS COMPLIANT.

③	GLOD LINE	8 PCS	0.46MM GLOD PLATED, UL 1061 26AWG
②	ACCESSORY	2 PCS	WIRE JACKET, SUIT FOR 8P8C
①	CONNECTER	2 PCS	8P8C, SHELL: ABS 94V0, BLACK
NO.	PARTS NAME	Q'TY	SPECIFICATION

APPROVED	CHECKED	DRAWN	CUSTOMER	
			ITEM NO.	MD-11D
			DRAW NO.	
			UNIT	mm
			SCALE	NONE

DESCRIPTION:

8P8C RJ45 female/female

