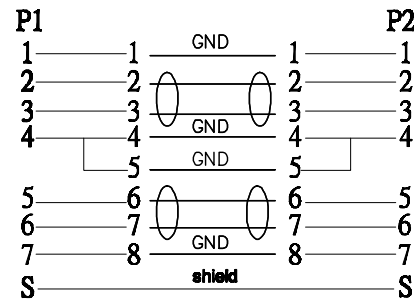


PIN OUT



NOTES:

- 1. TESTING: 100% OPEN AND SHORT TEST
- 2. ALL MATERIAL BE ROHS COMPLIANT

③	HOOD MOLD	2PCS	BLACK PVC
②	SATA FEMALE	2PCS	GOLD PLATED SHELL
①	CABLE	1PCS	26AWG*8C+SHIEDED+BLACK PVC JACKET
NO.	PARTS NAME	Q'TY	SPECIFICATION

APPROVED	CHECKED	DRAWN	CUSTOMER:	
			ITEM N. O.	SATA-1003
			DRAW NO.	
			UNIT	mm
			SCALE	NONE

DESCRIPTION:

SATA 7PIN /SATA 7PIN

