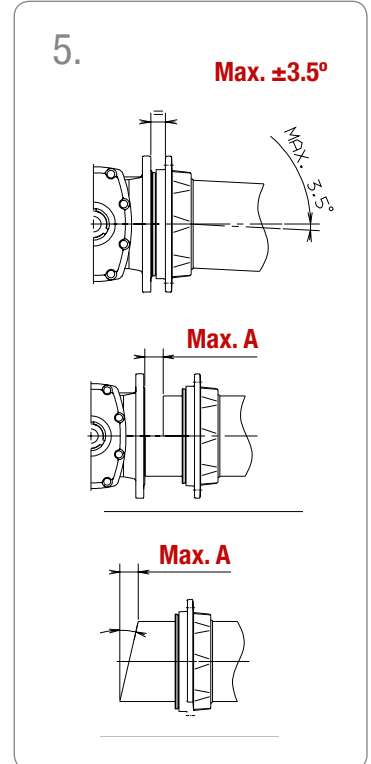
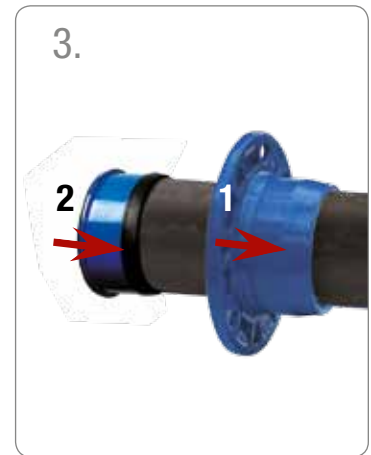
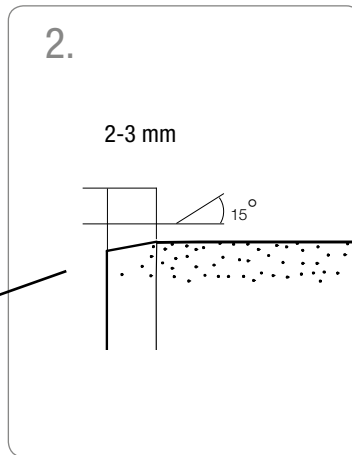




AVK COMBI-FLANGE FOR DUCTILE IRON PIPES

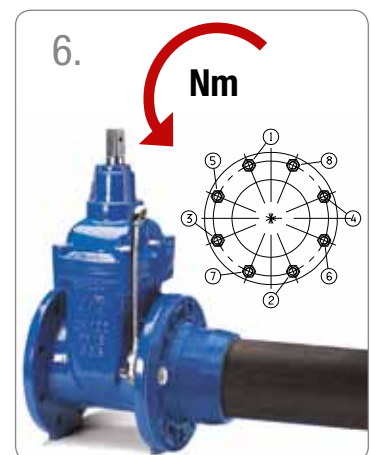
SERIES 05/26 & 05/66

Mounting instruction



DN/ ext.dia	A	Bolts PN10	Bolts PN16	Nm PN10/16
50/66	25	4xM16x65	4xM16x65	75
60/77	25	4xM16x65	4xM16x65	75
65/82	25	4xM16x65	4xM16x65	75
80/98	30	8xM16x60	8xM16x60	75
100/118	30	8xM16x90	8xM16x90	75
125/144	40	8xM16x90	8xM16x90	75
150/170	40	8xM20x100	8xM20x100	150
200/222	50	8xM20x100	12xM20x100	150
250/274 *)	50	12xM20x130	12xM24x130	150/200
300/326 *)	50	12xM20x130	12xM24x130	150/200

*) Non-tensile version only.
Please refer to separate instruction for DN 250-300 in tensile version



AVK combi-flange

for ductile iron pipes

Ref. No.: XXXXXXXXXX



!
CHECK



www.avkvalves.eu

Tensile

DN	Pipe ext Ø	PN	AVK Ref. no.	AVK Ref. no.
			Flange with tensile gasket	Flange with tensile gasket
			Excl. bolts	Incl. bolts
50	66	10/16	05-066-260502104	05-066-260502100
60	77	10/16	05-077-260602204	05-077-260602200
65	82	10/16	05-082-260652104	05-082-260652100
80	98	10/16	05-098-260802104	05-098-260802100
100	118	10/16	05-118-261002104	05-118-261002100
125	144	10/16	05-144-261252104	05-144-261252100
150	170	10/16	05-170-261502104	05-170-261502100
200	222	10	05-222-262002404	05-222-262002400
200	222	16	05-222-262004404	05-222-262004400

Non-tensile

DN	Pipe ext Ø	PN	AVK Ref. no.	AVK Ref. no.
			Flange with non-tensile gasket	Flange with non-tensile gasket
			Excl. bolts	Incl. bolts
50	66	10/16	05-050-660502104	05-050-660502100
60	77	10/16	05-060-660602204	05-060-660602200
65	82	10/16	05-065-660652104	05-065-660652100
80	98	10/16	05-080-660802104	05-080-660802100
100	118	10/16	05-100-661002104	05-100-661002100
125	144	10/16	05-125-661252104	05-125-661252100
150	170	10/16	05-150-661502104	05-150-661502100
200	222	10	05-200-662002404	05-200-662002400
200	222	16	05-200-662004404	05-200-662004400
250	274	10	05-250-662502404	05-250-662502400
250	274	16	05-250-662504404	05-250-662504400
300	326	10	05-300-663002404	05-300-663002400
300	326	16	05-300-663004404	05-300-663004400

Expect...