



RF SINGLE COLOR DIMMER

Model Number: VT-2402.

SKU: 3300.

Product Description:




RF Single color dimmer is a controller that can adjust brightness infinitely and change to flash. It's control mode is wireless and you could adjust the light to the appropriate brightness in accordance with your actual need.

TECHNICAL PARAMETERS:

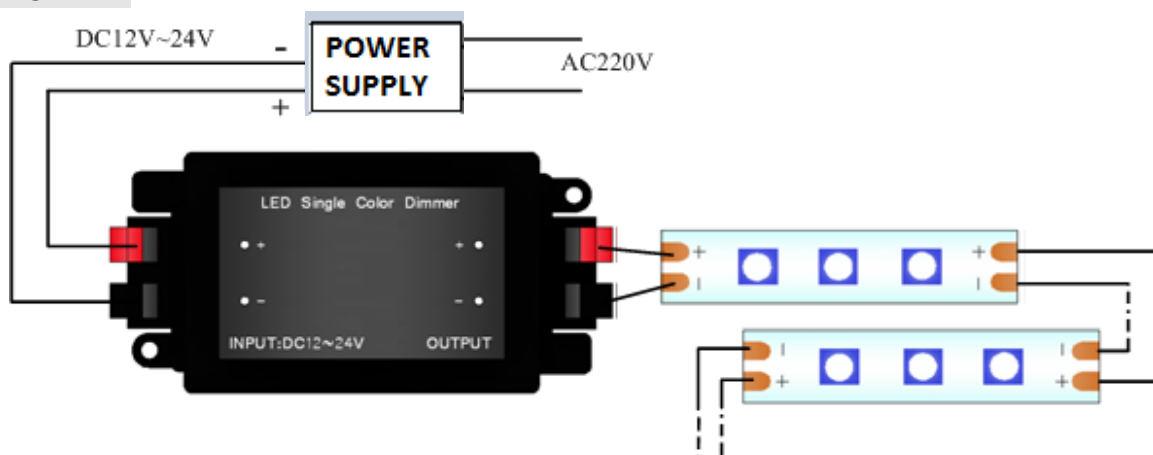
- Working temperature : -20-60°C
- Supply voltage : DC12V~24V optional
- Output : 1 channel
- Connection mode : Common anode
- Static power consumption : <1W
- Output current : <8A
- Output power : 12V:< 96W ; 24V:<192W

DIRECTION OF USE

- Connect the load wire at first, following to connected the power wire; Please ensure short circuit can not occur between connecting wire before you turn on the power;
- Functions for wireless controller:

Symbol	Button Name	Instruction
	Brightness up	This key allows you to increase the brightness of the strip.
	Brightness down	This key allows you to decrease the brightness of the strip..
	On/off	Switch for power on and off.

APPLICATION TYPE



CAUTION

- This product's Input voltage is DC12V~24V. Other input voltages are not allowed.
- Ensure that the lead wires are connected correctly, according to the wire color and as per the above diagram.
- Overloads are prohibited.