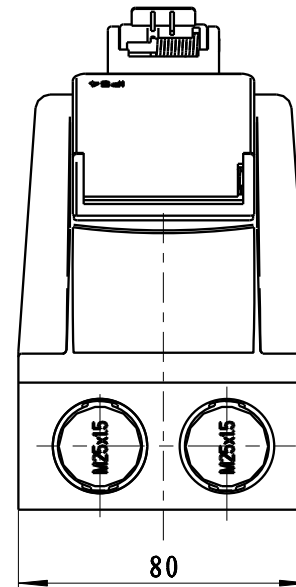
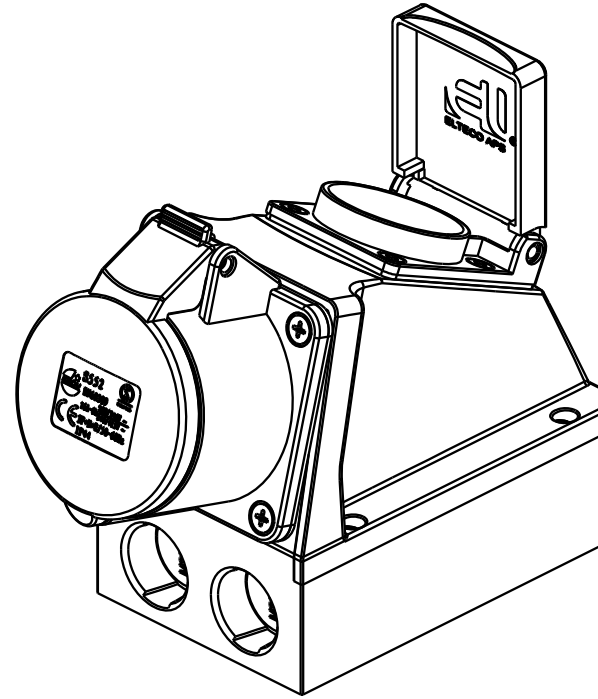
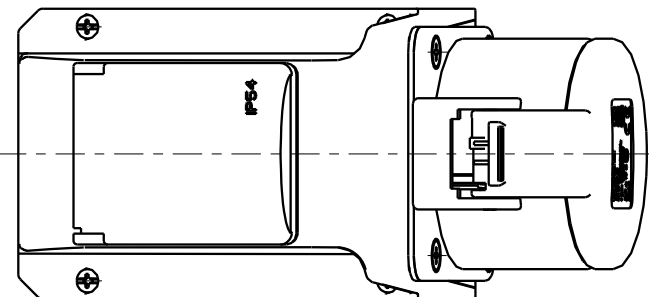
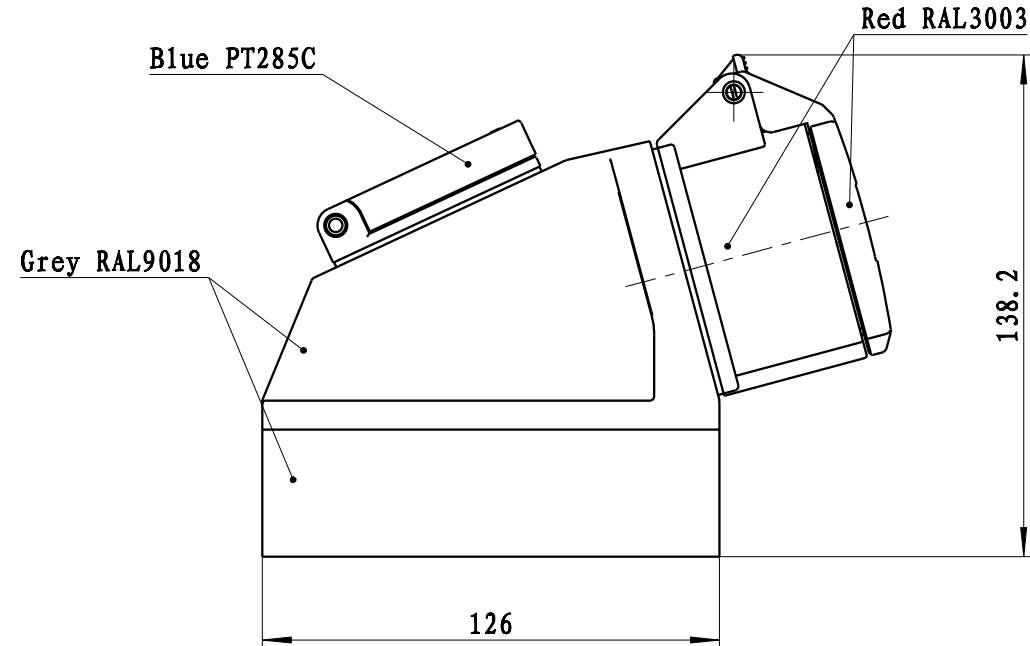
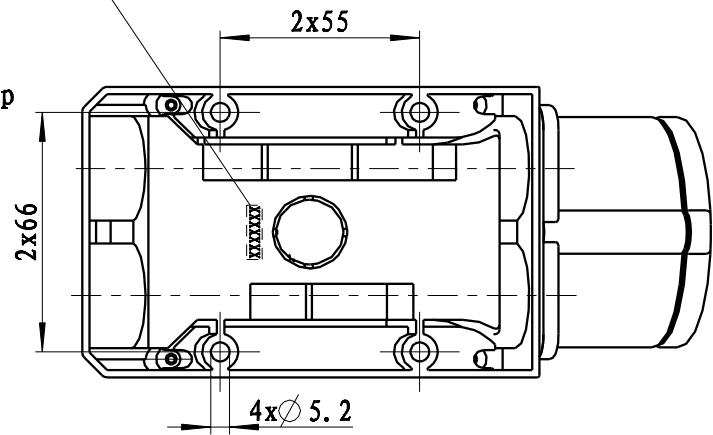


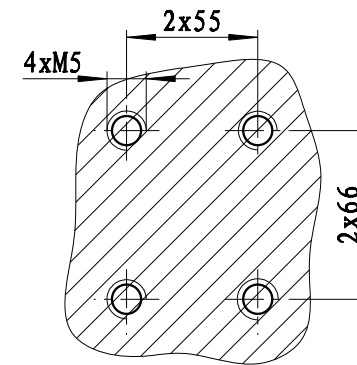
061402003

Manufacturing Date

XXXXXX  
 Week  
 Year  
 Workshop  
 e. g. 01C2013



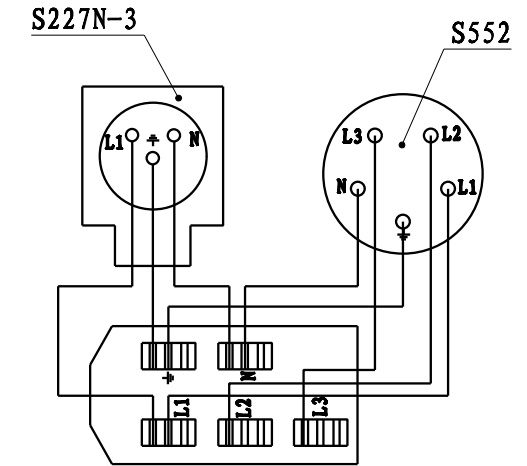
Mounting Size



Rejigger Index

REV.	Mark	Qty	Verified Content	Description	Verified /Date	Rejigger /Date

Circuit Diagram



Technical requirement

1. Product Model: SD534;
2. Certificate and rating

Industrial plug Certificate and rating	Household socket Certificate and rating
EN60309	DS 60884, IEC60884
16A-6h 200/346V ~ 240/415V ~	16A 250V, 2P+PE

3. Degree of protection: IP44;
4. Without shutter (Household socket);
5. Tightening torque: M4, 0.8 ~ 1N · m;
6. Directive/Regulation: RoHS..

Tolerance Not Marked

Basic Dimension	>0 ~ 6	>6 ~ 30	>30 ~ 120	>120 ~ 300
Tolerance	± 0.1	± 0.3	± 0.5	± 1
Designed by	贾海威	20220108	standardization	王思琦 20220108
Collated by	张勇	20220108	Examined by	陈晓薇 20220108
Checked by	谢海涌	20220108	Drawed by	贾海威 20220108
Technics			approved by	李子平 20220108

ASSEMBLE OUTLINE

Phase Mark	REV.	Scale
S	A	1:2
Current Page	Total Page	

KEDU ELECTRIC

061402001  
 Combined Socket

0614020003

Common use register  
 Drawing  
 Collation  
 Old Bottom Drawing No.  
 Bottom Drawing No.  
 Signature  
 Date